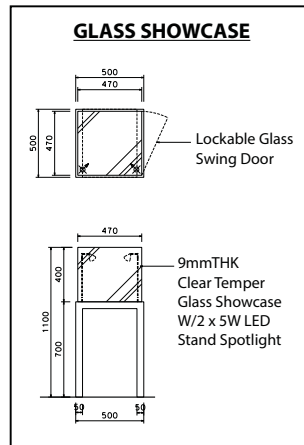
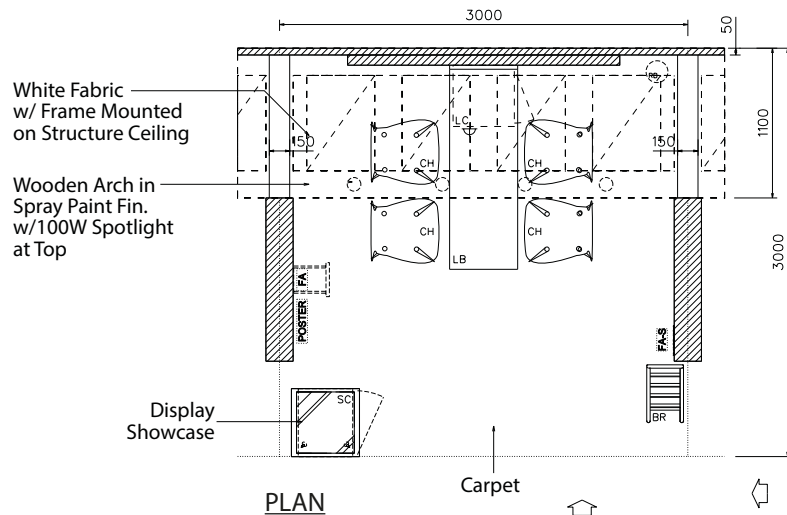
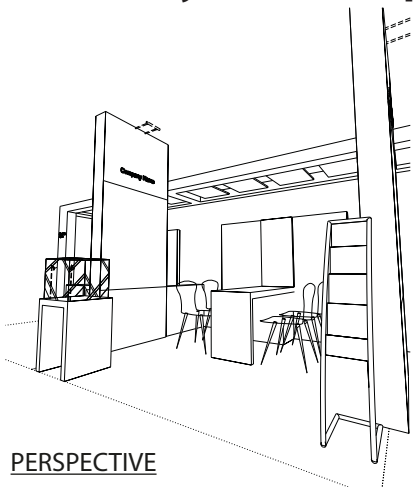
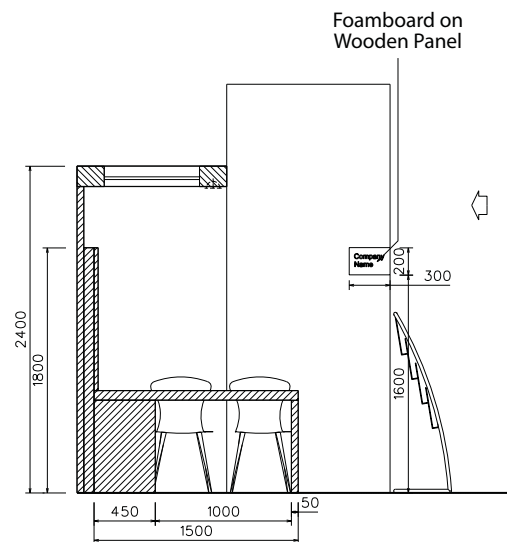
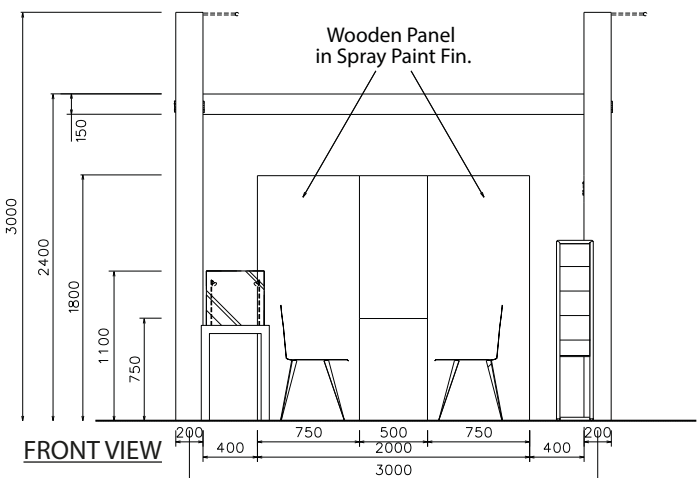
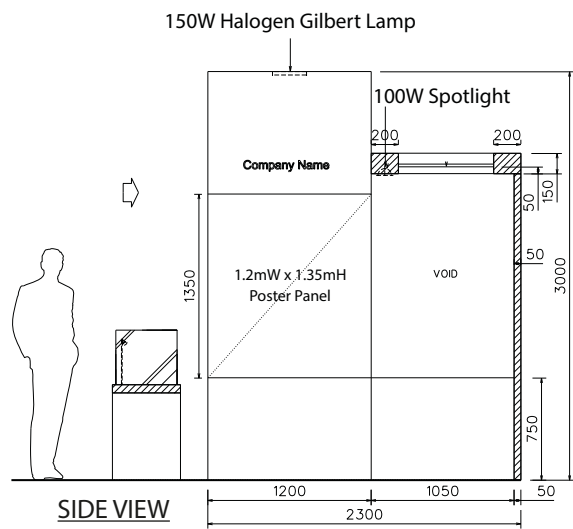


Booth Layout for 9 sqm (C) [Showcase + Brochure Rack]

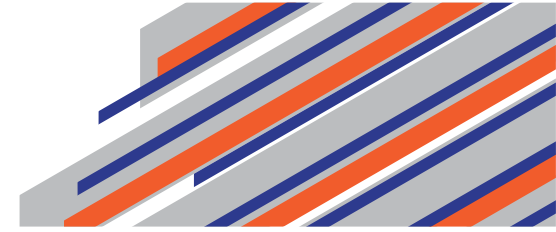


BOOTH FACILITIES FOR 9SQM BOOTH

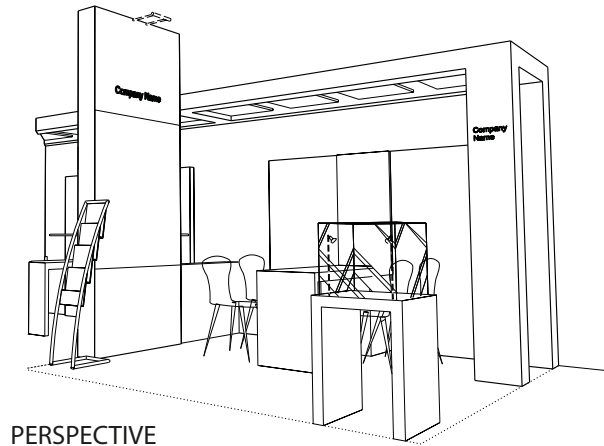
LEGEND	DESCRIPTION	QTY
FA	COMPANY FASCIA	1
FA-S	COMPANY FASCIA (SMALL)	1
POSTER	POSTER AREA: 1200 X 1350MMH FOAMBOARD GRAPHICS	1
LB	1500 X 500 X 750MMH WOODEN BENCH	1
LC	450 X 450 X 680MM H LOCKABLE CABINET UNDER BENCH	1
CH	WHITE CHAIR	4
SC	DISPLAY SHOWCASE	1
BR	BROCHURE RACK	1
	150W HALOGEN GILBERT LAMP	1
	100W CONCEALED "BULL-EYE" SPOTLIGHT	4
	500W POWER SOCKET	1
RB	RUBBISH BIN	1



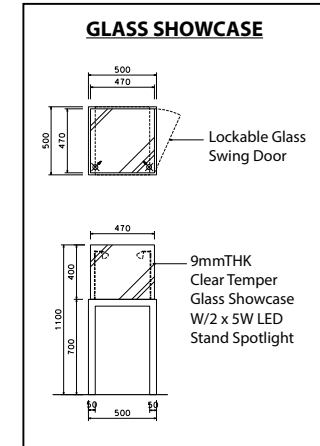
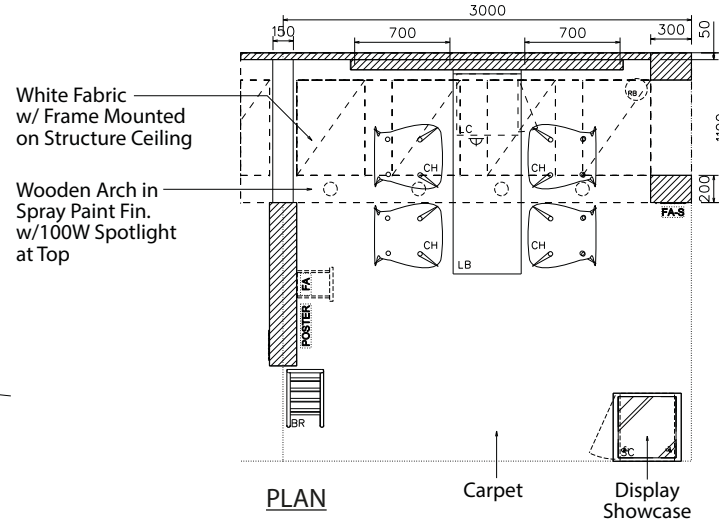
* The panel location may vary according to the booth location *
* HKTDC reserves the right to adjust the specification if necessary *



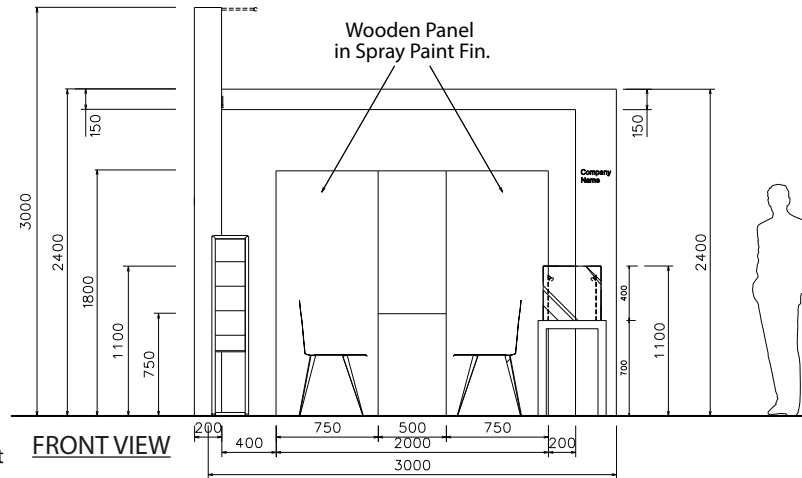
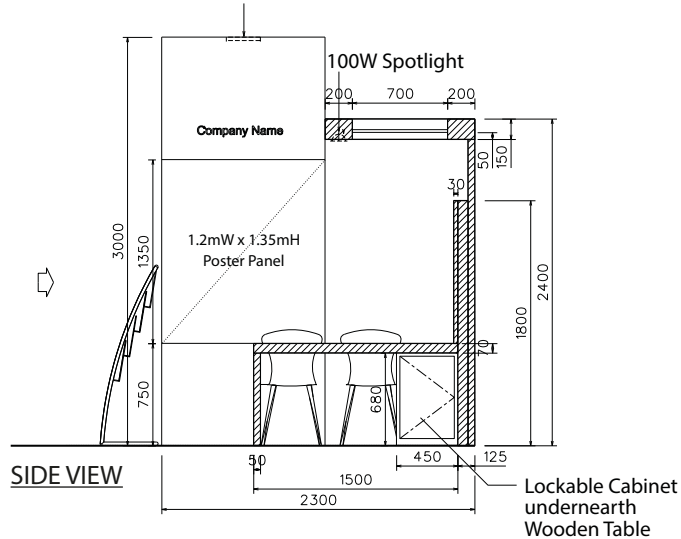
Booth Layout for 9 sqm (C) [Showcase + Brochure Rack - Corner]



PERSPECTIVE



150W Halogen Gilbert Lamp



BOOTH FACILITIES FOR 9SQM BOOTH

LEGEND	DESCRIPTION	QTY
FA	COMPANY FASCIA	1
FA-S	COMPANY FASCIA (SMALL)	1
POSTER	POSTER AREA: 1200 X 1350MMH FOAMBOARD GRAPHICS	1
LB	1500 x 500 x 750MMH WOODEN BENCH	1
LC	450 x 450 x 680MM H LOCKABLE CABINET UNDER BENCH	1
CH	WHITE CHAIR	4
SC	DISPLAY SHOWCASE	1
BR	BROCHURE RACK	1
LAMP	150W HALOGEN GILBERT LAMP	1
SPOT	100W CONCEALED "BULL-EYE" SPOTLIGHT	4
PS	500W POWER SOCKET	1
RB	RUBBISH BIN	1

* The panel location may vary according to the booth location *
 * HKTDC reserves the right to adjust the specification if necessary *